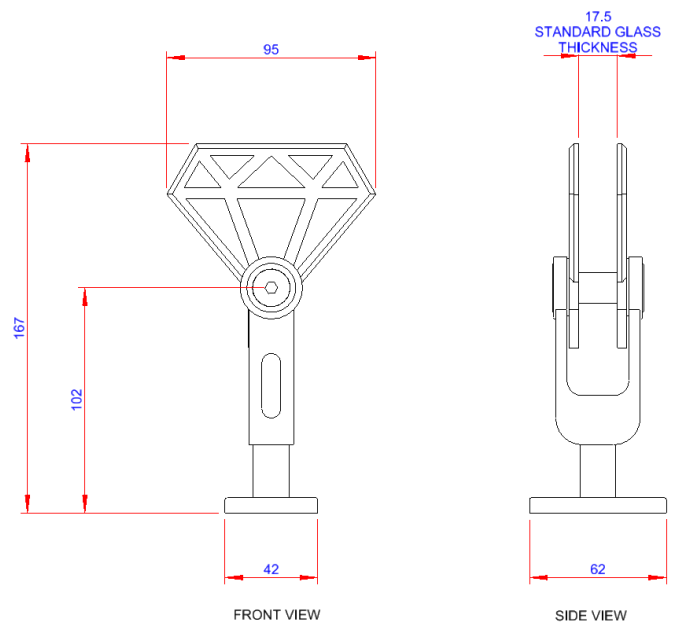


Custom Made Luxury Glazing Clamps
Product Information Sheet GC1120



Typical Dimensions



- ✓ Available in a wide range of styles & sizes.
- ✓ Selection of metal finishes including brass, copper, chrome, nickel, gold, gunmetal & bronze in either satin or polished finish.
- ✓ 17.5mm standard glass thickness, other glass thickness available upon request.
- ✓ Bevelled glass panels either clear or opaque.
- ✓ Interchangeable clamp plates.

